

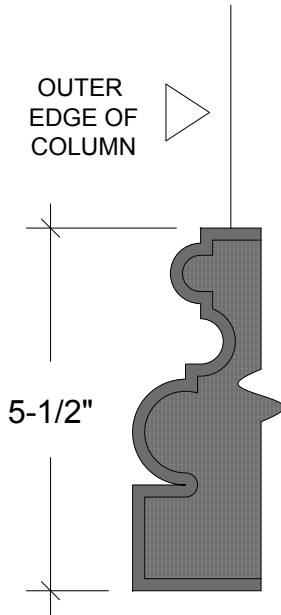
EXTERIOR  
MOULDINGS

FC BASE

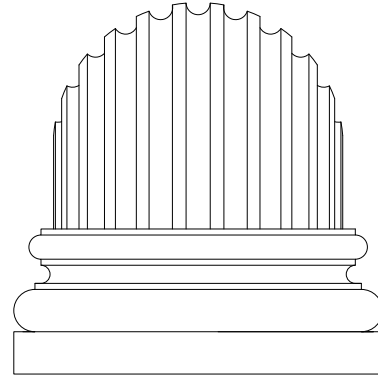


128 Milvan Drive  
Toronto, Ontario  
Canada M9L 1Z9  
Tel.: (416) 741-6444  
Fax: (416) 744-3888  
Mob: (416) 315-4724

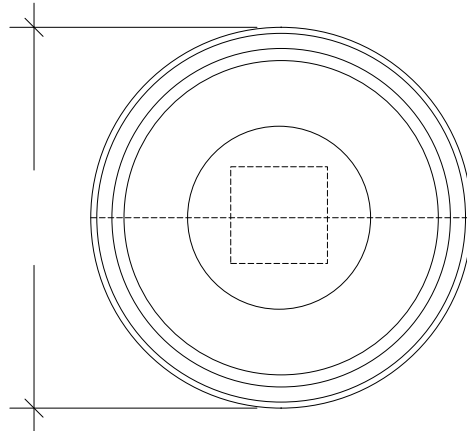
## FC BASE 02



SECTION



ELEVATION



PLAN

**COLUMN DOUBLE RING BASE**  
Available in 8", 10", 12" & 14" Diameter