

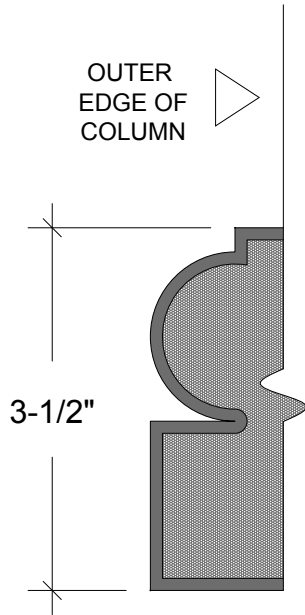
EXTERIOR
MOULDINGS

FC BASE

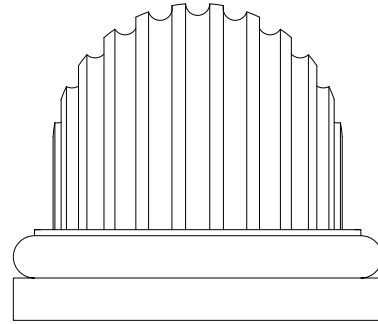


128 Milvan Drive
Toronto, Ontario
Canada M9L 1Z9
Tel.: (416) 741-6444
Fax: (416) 744-3888
Mob: (416) 315-4724

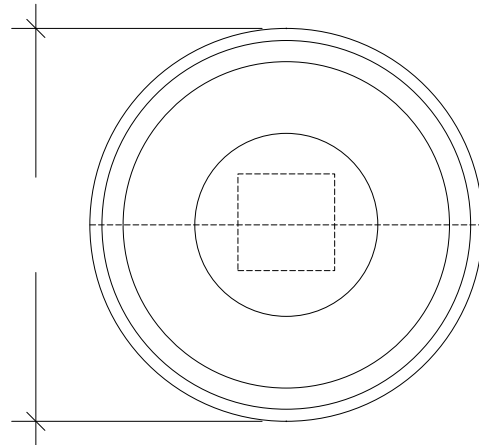
FC BASE 01



SECTION



ELEVATION



PLAN

COLUMN SINGLE RING BASE

Available in 8", 10", 12" & 14" Diameter